

# Room Service Trolley



**NARDI MANUFACTURING (M) SDN. BHD.**

Lot 30828, KM 3.2 Jalan Seri Cheeding Mukim Tanjung Dua Belas,  
42700 Banting, Selangor Darul Ehsan, Malaysia [www.nardi.com.my](http://www.nardi.com.my)

# Room Service Trolley

## Trifold Series

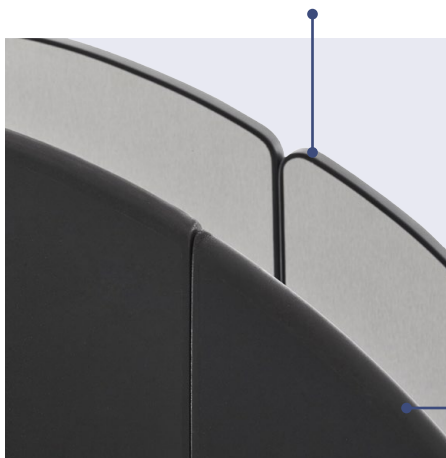
We offer many choices of Room Service Tables. Choose a basic model to fit your needs.



### FEATURES

Polyurethane pu  
(PU Edge)

- Table top is made of 18mm waterproof plywood which is laminated and the underside has plastic laminate for easy maintenance and durability.
- Polyurethane PVC edging is fixed and all corners to the trolley for maximum protection.
- 5" heavyduty polyurethane non marking wheels are fixed to provide smooth and silent movement during usage.
- Mainframe is made from 25mm x 50mm x 1.6mm mild steel tube in polished nickel chrome finish. Additional bars and tubes are added for extra strength and durability. All joints are fully welded.
- Optional - Stainless steel frame available.
- Nylon bolt; and nuts are used in areas where there is movement.

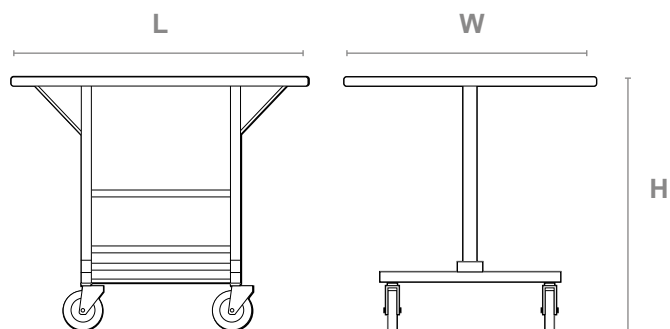


This is X edge  
xxxxxxxxxxxxxxx



# Oval

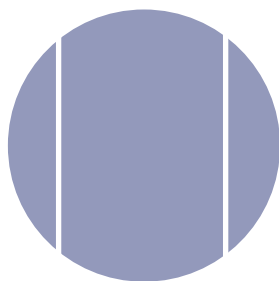
## No. NRSV-300



Dimensions (mm) : 915L × 1067W × 787H

### TABLE TOP OPTION

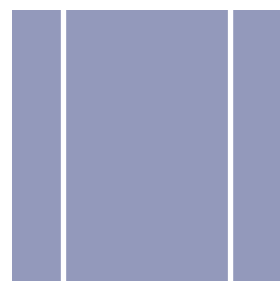
Laminate



# Round

## No. NRSV-330

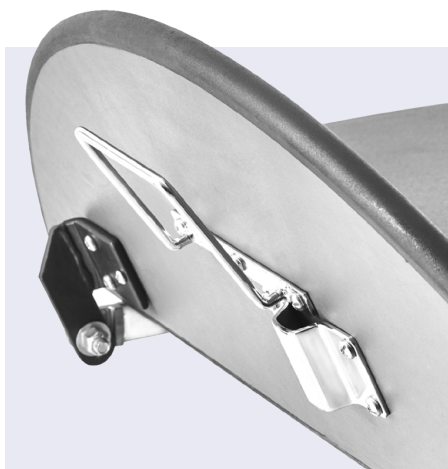
Dimensions (mm) :  
915Dia × 787H



# Square

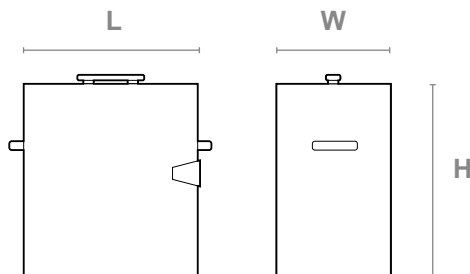
## No. NRSV-360

Dimensions (mm) :  
915L × 915W × 787H



# Electric Food Warmer

No. NEFW-420



Dimensions (mm) : 410L × 370W × 490H



## FEATURES

- Double-wall frame construction prevents the exterior of the box from getting hot and at the same time keeps the heat insulated in the box.
- Customised door-lock keeps door tight during usage and prevents heat from getting out. Top handle and 2 side handles are fitted to make it easy to carry warmers during operations. Single long stainless steel hinge is fixed for extra strength.
- Each unit is 240 volts and comes with a conventional 3-prong plug.
- Each unit has 3 removable aluminium shelves.

Exterior of the unit is made from stainless steel to enable easy maintenance and durability. Interior is fitted with aluminium. Both materials are rust-free making it hygienic.



# Food Warmer Caddy

No. NFWC-500

## FEATURES

- Material is made of mild steel frame with 25mm × 50mm × 1.6mm main frame which is welded together for extra strength.
- Standard colour is matt black texture powder coated finish.
- 5" heavy-duty non marking polyurethane castors fitted for easy movement. 2 nos with top brake to prevent movement when is stationary.
- Capacity 6 nos per rack (warmers).

Dimensions (mm) :  
970L × 510W × 1675H