

House- keeping Trolley



NARDI MANUFACTURING (M) SDN. BHD.

Lot 30828, KM 3.2 Jalan Seri Cheeding Mukim Tanjung Dua Belas,
42700 Banting, Selangor Darul Ehsan, Malaysia www.nardi.com.my

Chambermaid Trolley



FEATURES

With Top Organizer box Heavy duty one short bag & one long bag provided. Heavy-duty 203mm Dia castors and full wrap around bumpers

Long Bag Size:
460 x 270 x 825 H

Short bag size:
460 x 270 x 573 H

Powder Coted colour :

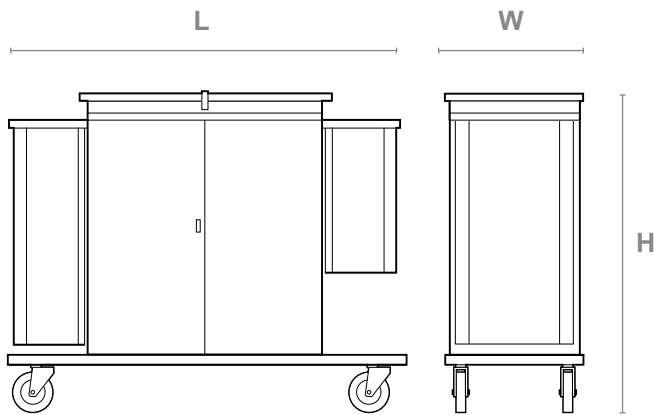
- Beige 15200
- copper hammertone
- Sparking Iron Effect

Canvas Bag Colour:

- Brown
- Black
- Blue



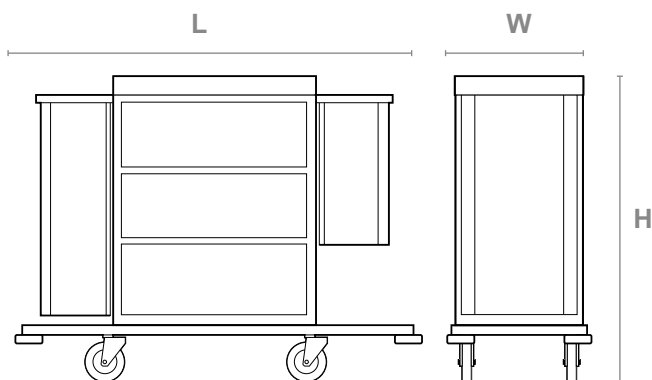
No. NCMT-816



Dimensions (mm) : 1490L × 575W × 1235H

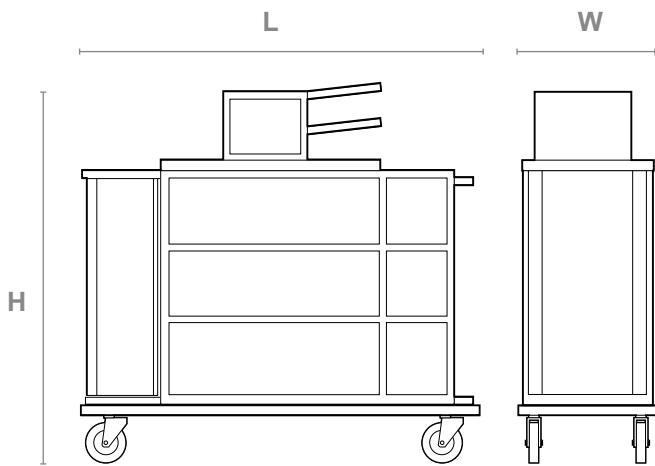


No. NCMT-816A



Dimensions (mm) : 1545L × 600W × 1185H

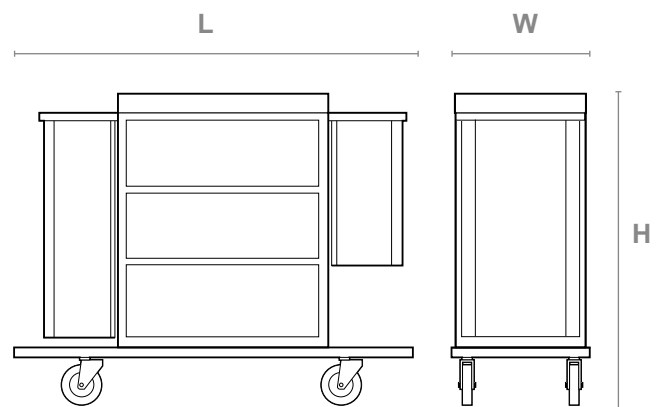
No. NCMT-816B



Dimensions (mm) : 1520L × 575W × 1530H



No. NCMT-816C



Dimensions (mm) : 1490L × 580W × 123H



3 Bags Sorting Trolley

No. NST-801

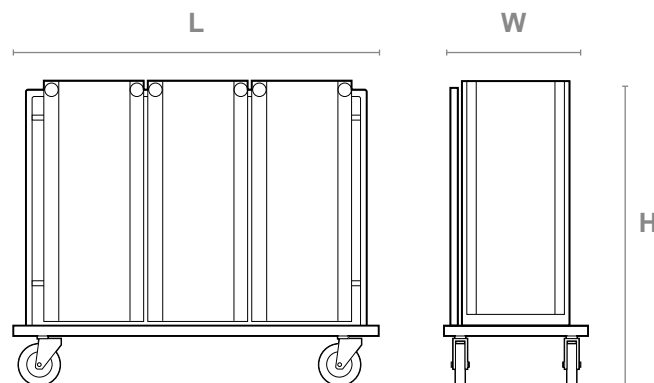
WHEELS
155mm Dia
heavy duty wheel

FEATURES

- 3 canvas bags .
- **Frame:** Mild steel in powder Coated with all round PU bumper
- **Choice of color :** Blue / Brown / Black



No. NST-801A



Dimensions (mm) : 1180L × 545W × 910H

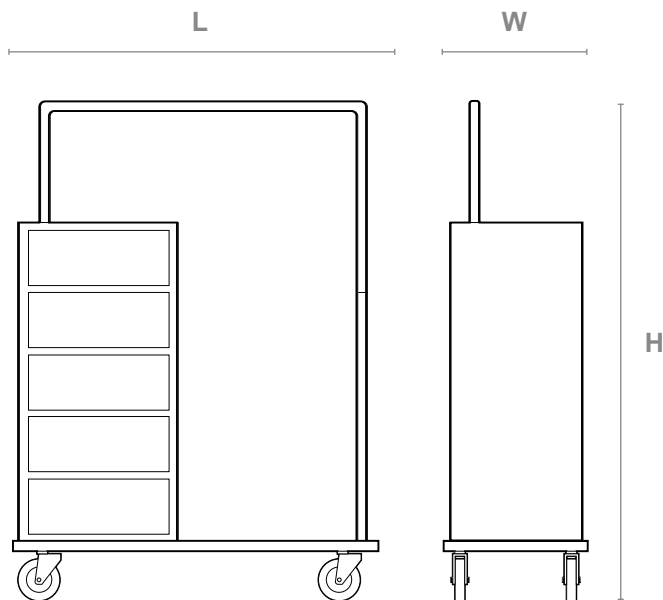
Valet Trolley

No. NVT-802



WHEELS
155mm Dia
heavy duty wheel

FRAME
Stainless Steel
Hanger comes with
MildSteel shelving in
powder coated finish .
Platform with all round
PU bumper



Dimensions (mm) : 1155L × 555W × 1715H



Fiber Glass Trolley

No. NFGT-803

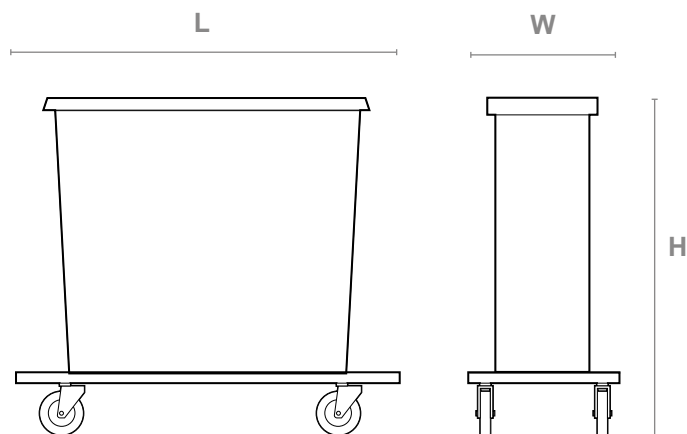
MATERIAL

Fiber Glass

WHEELS
4 nos 155mm Dia heavy-duty wheels

FEATURES

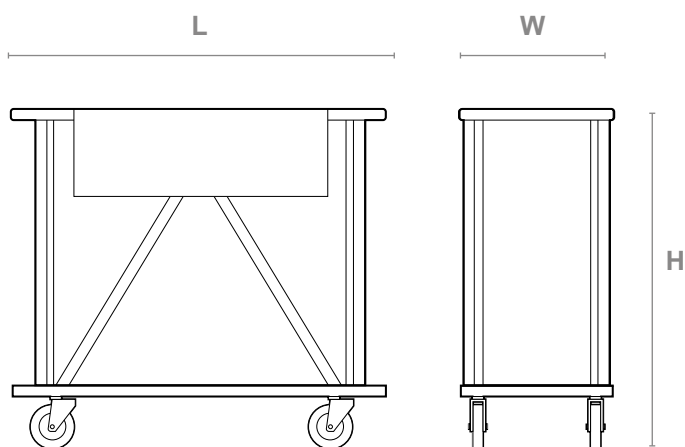
All round PU bumper



Dimensions (mm) : 966L × 686W × 925H

Soiled Linen Trolley

No. NSLT-804



WHEELS
Heavy Duty 155mm Dia
heavy duty wheels

Dimensions (mm) : 1005L × 700W × 900H

FEATURES

- Mild Steel powder coated finished with H/Duty canvas bag one with all round Pu bumper.
- **Choice of color** : Blue / Brown / Black

X Frame Trolley

No. NXFT-805

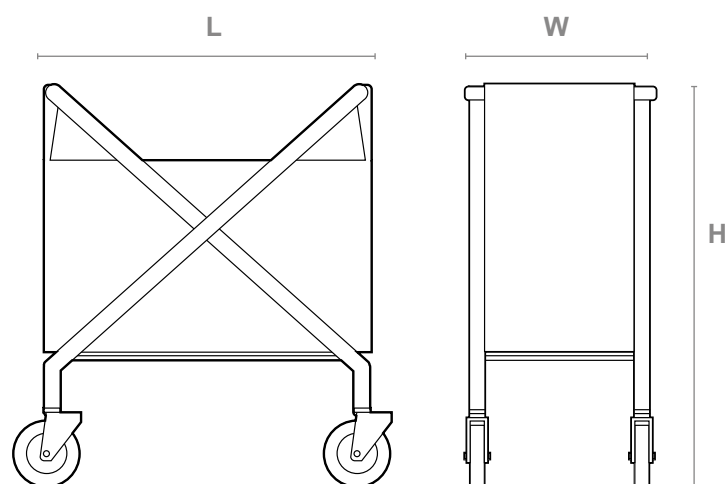


FEATURES

- H/Duty canvas bag
- **Choice of color** : Blue / Brown / Black

• **WHEELS**
4 nos 100mm Dia
heavy-duty wheels

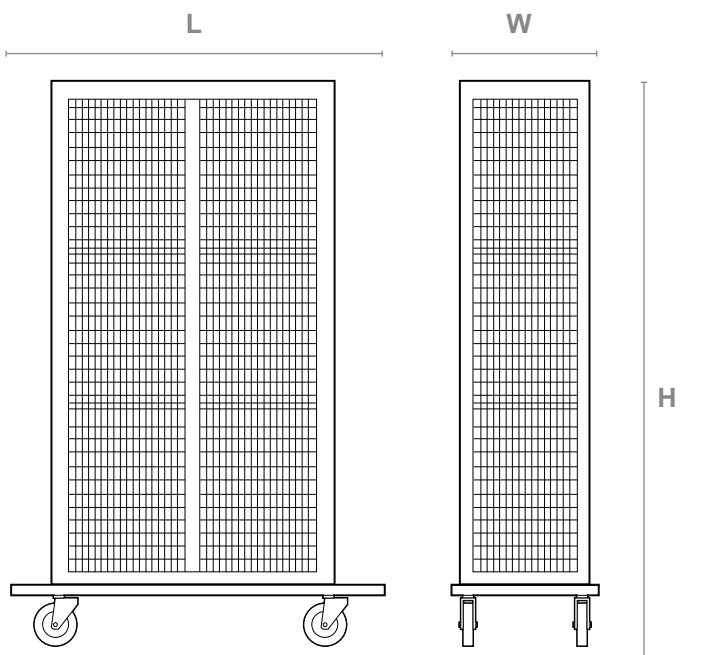
FRAME
Stainless steel Grade
SS 304 Frame with
1" dia x 1.2mmthk



Dimensions (mm) : 850L × 625W × 915H

Linen Cage Trolley

No. NLCT-806



WHEELS
heavy duty
155mm Dia wheels

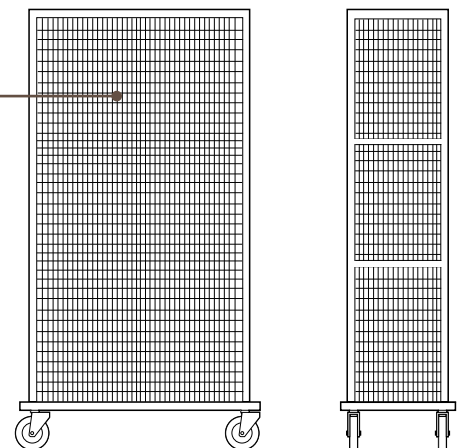
Dimensions (mm) : 1135L × 575W × 1445H

No. NLCT-906A

FEATURES

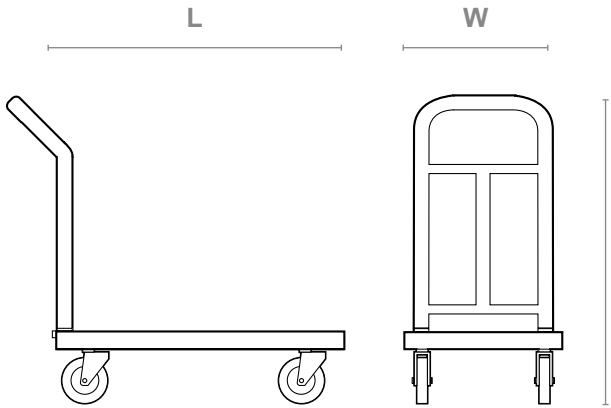
Mild steel powder coated frame, comes with one door, two laminated removable shelvings, all round pu bumper

No door linen cage trolley for option



Platform Trolley

No. NXFT-807



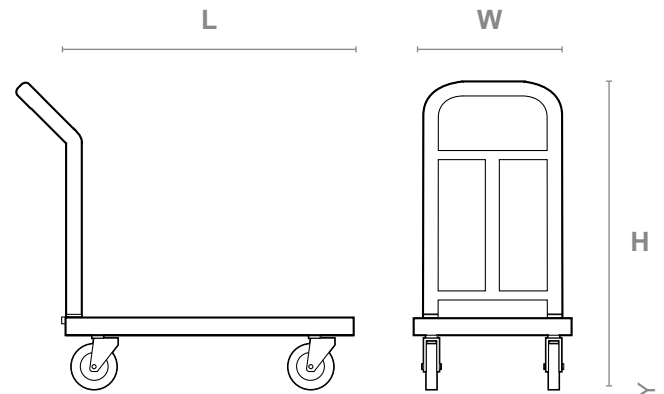
MATERIAL
Stainless steel in SS304 grade finish c/w 204mm Dia rubber wheels

Dimensions (mm) :

1160L x 750W x 1070H

Platform Trolley

No. NPT-808



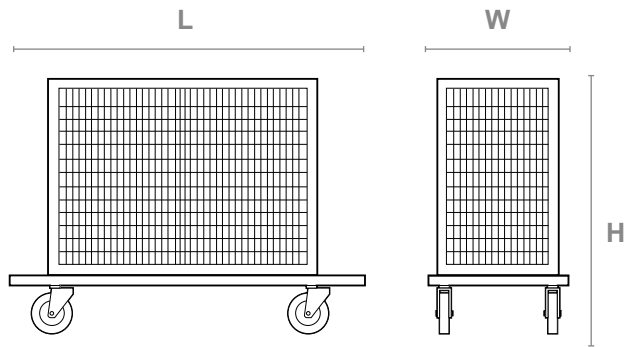
Dimensions (mm) :

1190L x 750W x 1120H

MATERIAL
Mild steel powder coated finish c/w chequer plate top with 204mm dia rubber wheels

Solid Linen Trolley

No. NSLT-809



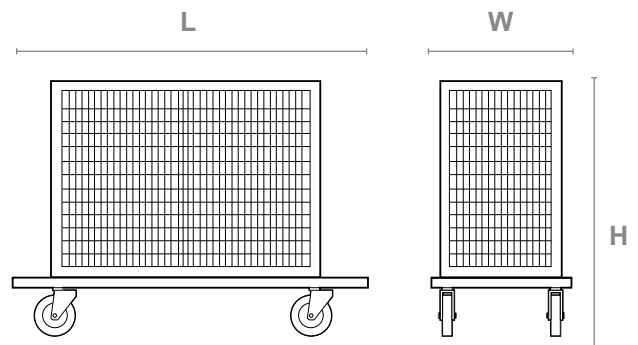
Dimensions (mm) :
985L × 690W × 905H



FRAME
Mild Steel in powder
Coated finish with centre
divider, all round PU
bumper

WHEELS
heavy duty
155mm Dia wheels

No. NSLT-810



Dimensions (mm) :
985L × 690W × 905H

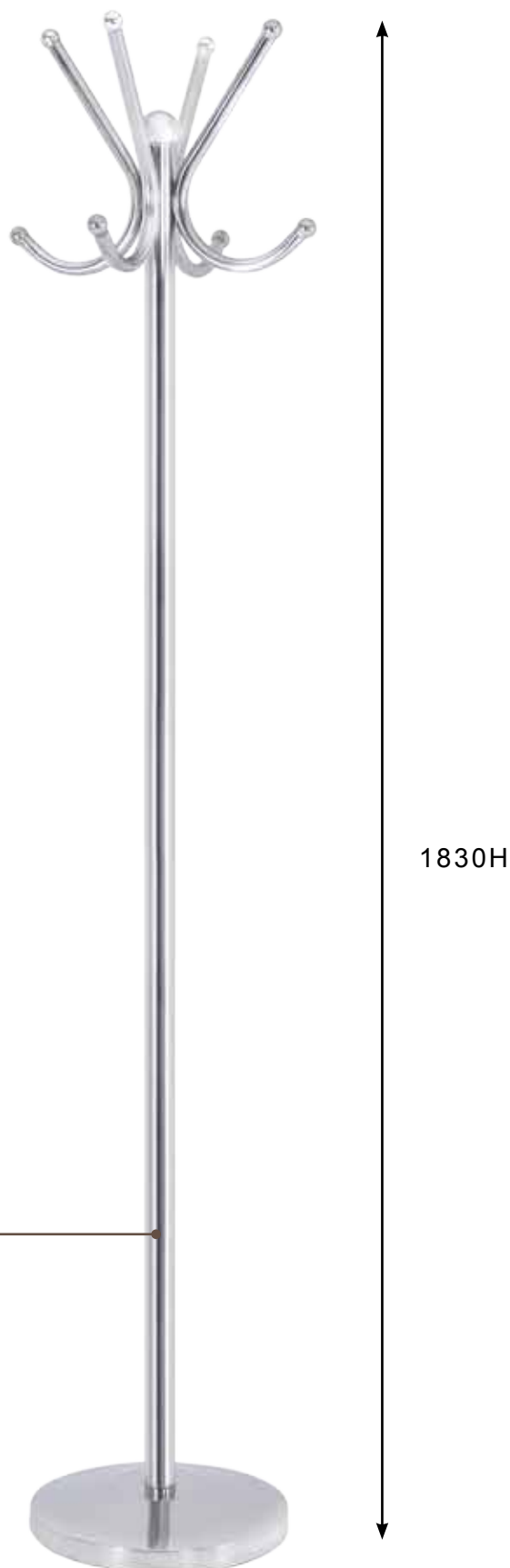


WHEELS
heavy duty
155mm Dia wheels

FRAME
Mild Steel in powder
Coated finish with
all round PU bumper

Coat Hanger

No. NCH-811

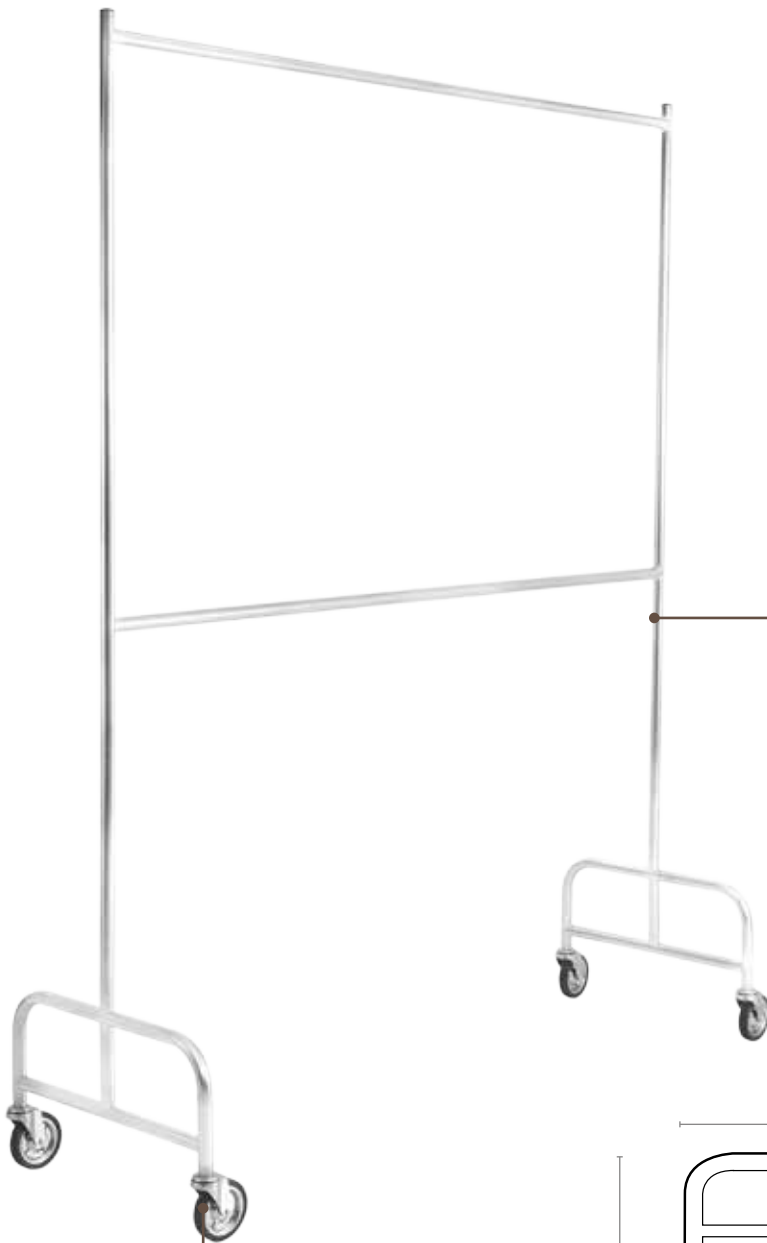


MATERIAL

Stainless steel grade
SS 304, round tube
38mm x 1.2mm THK

Skirting Trolley

No. NST-812

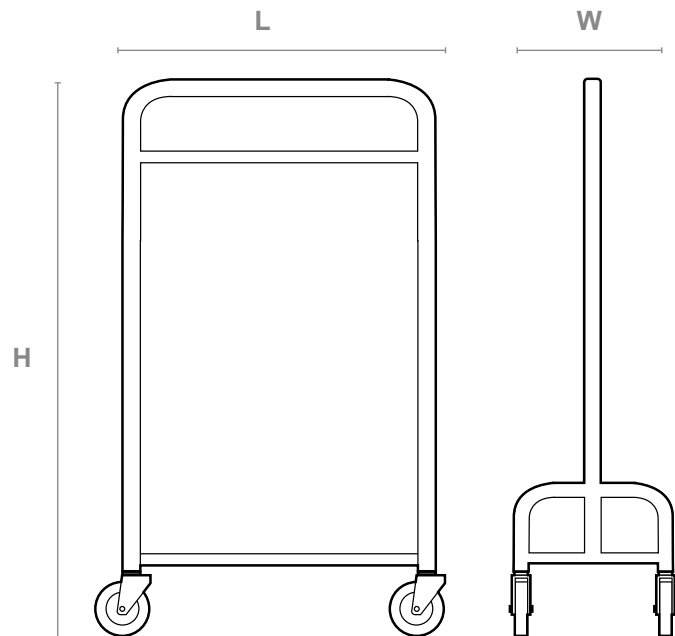


MATERIAL

Stainless Steel grade
SS 304 in brushed hairline
finish with 25mm round tube
x1.2mmthk

WHEELS

4 nos heavy-duty 100mm
swivel expansion wheels.



Dimensions (mm) : 1520L × 500W × 1945H

Double Rail Garment Trolley

No. NDRG-813

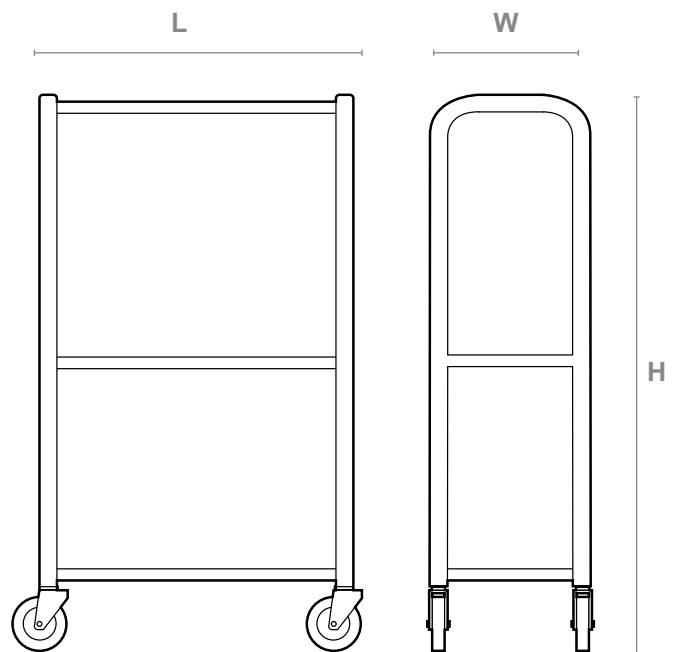


MATERIAL

Stainless steel Grade
SS 304 ,round tube 32mm x
1.2mm THK s/steel tubular
frame machine bend

WHEELS

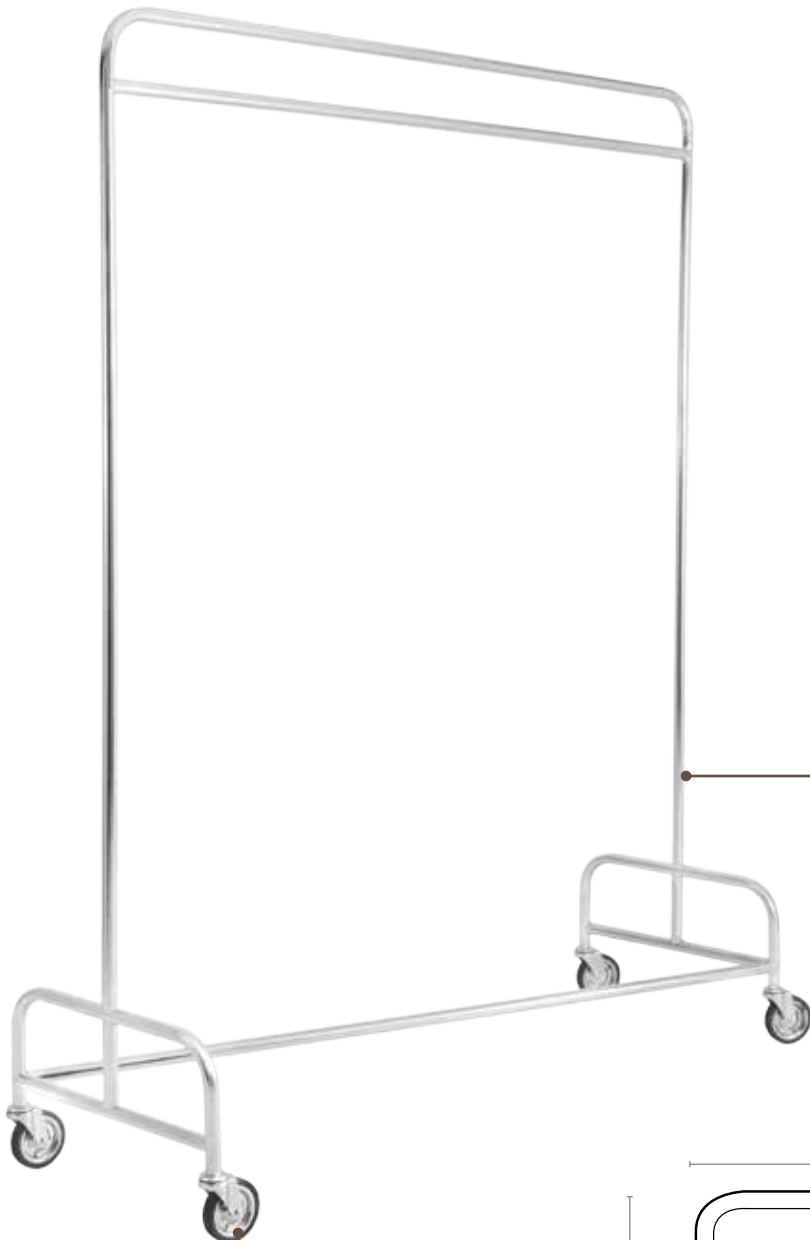
4 nos of heavy duty wheels



Dimensions (mm) : 1520L × 625W × 1755H

Garment Trolley

No. NGT-814

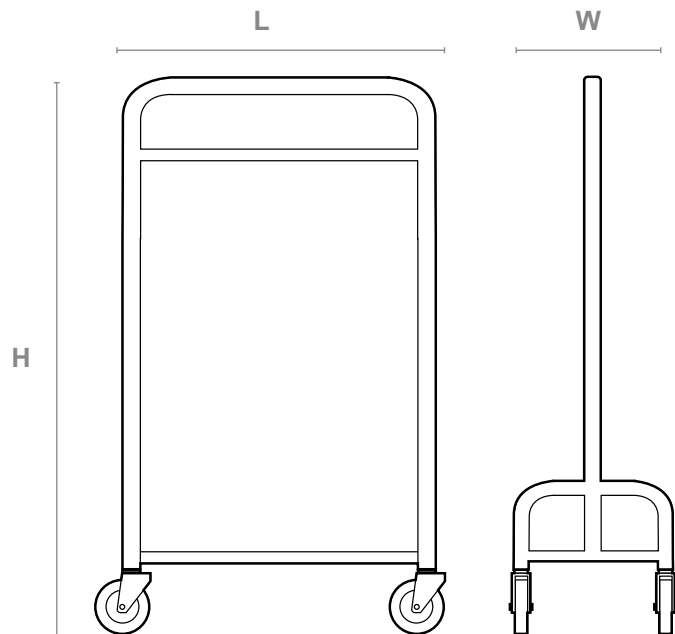


● MATERIAL

Stainless Steel grade
SS 304 in brushed hairline
finish with 25mm round tube
x1.2mmthk

● WHEELS

4 nos heavy-duty 100mm
swivel expansion wheels



Dimensions (mm) : 1510L × 500W × 1910H