

# Front Office Trolley



**NARDI MANUFACTURING (M) SDN. BHD.**

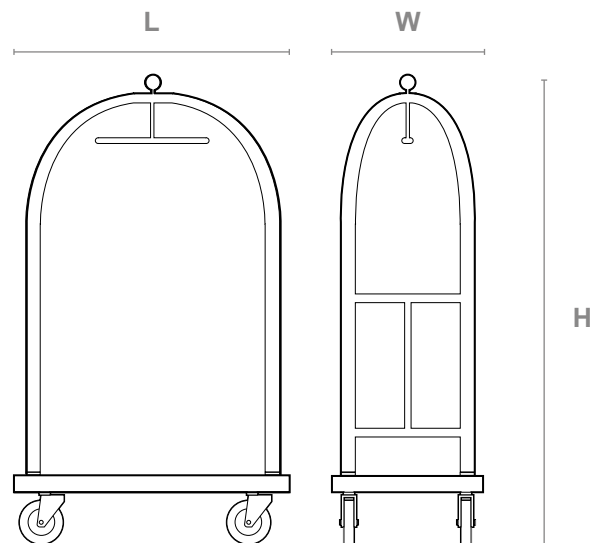
Lot 30828, KM 3.2 Jalan Seri Cheeding Mukim Tanjung Dua Belas,  
42700 Banting, Selangor Darul Ehsan, Malaysia [www.nardi.com.my](http://www.nardi.com.my)

# Birdcage Trolley

No. NBT-901

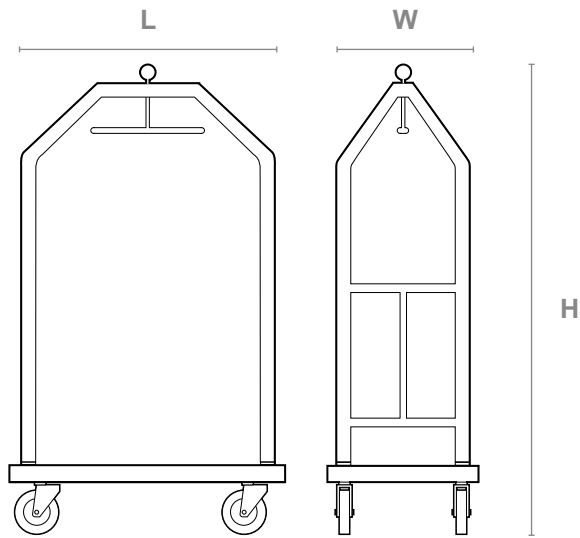
## FEATURES

- **Frame:** Stainless steel Grade SS 304 , round tube 50.8mm x 1.5mm s/steel tubular frame machine bend
- **Wheels :** Imported castors 203mm Foam Wheel, 2rigid & 2 swivel,with thick bumper all round .
- **Choice of carpet color :** Dark Grey / Maroon



**Dimensions (mm) : 1168L × 79W × 1854H**

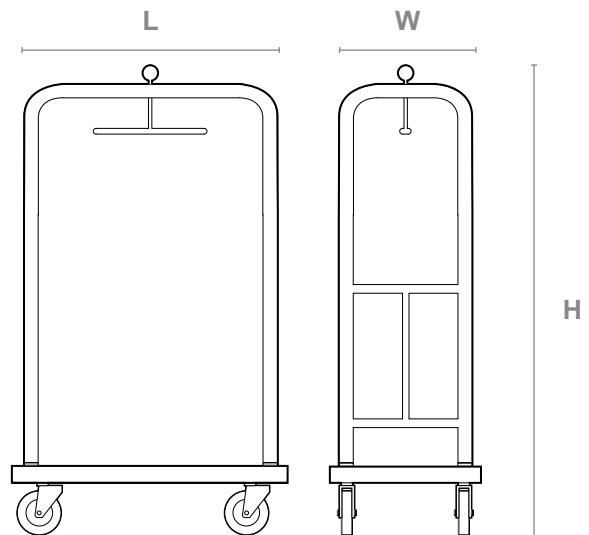
## No. NBT-902



**Dimensions (mm) :**  
1168L × 79W × 1854H



## No. NBT-903



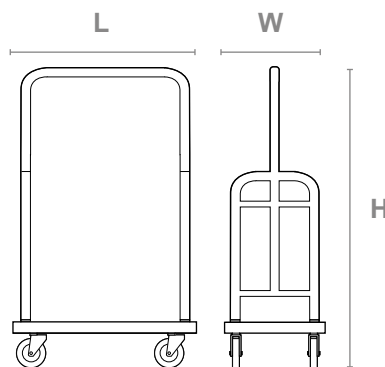
**Dimensions (mm) :**  
1168L × 79W × 1854H

# Luggage Cart

No. NLC-904

## FEATURES

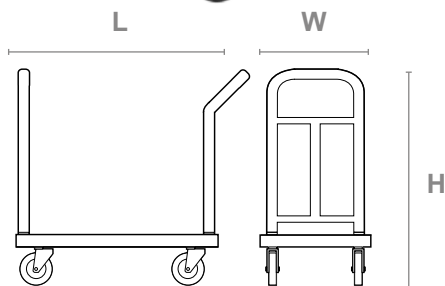
- **Frame:** Stainless Steel Grade SS 304, round tube 32mm x 1.2mm THK s/steel tubular frame machine bend
- **Wheels :** 4 nos 203mm dia foam wheels , 2 rigid & 2 swivel, with thick bumper all round.
- **Choice of carpet color :** Dark Grey / Maroon



No. NLC-905



**Dimensions (mm) :**  
1168L x 686W x 1778H



**Dimensions (mm) :**  
1168L x 686W x 1778H

# Platform Trolley

No. NPT-F906

## FEATURES

- **Material :** Stainless steel Mirror polished tubing. Carpeted deck and all around bumper .
- **Frame:** Stainless steel Grade SS 304 ,round tube 32mm x 1.2mm THK s/steel tubular frame machine bend
- **Wheels :** 4 nos 203mm foam wheels , 2 rigid & 2 swivel, with thick bumper all round.
- **Choice of carpet color :** Dark Grey / Maroon